


Prüfbericht-Nr.: <i>Test report no.:</i>	CN24G0XJ 001	Auftrags-Nr.: <i>Order no.:</i>	326019061 P01453973	Seite 1 von 29 Page 1 of 29
Kunden-Referenz-Nr.: <i>Client reference no.:</i>	40936055	Auftragsdatum: <i>Order date:</i>	2024-04-29	
Auftraggeber: <i>Client:</i>	CSE Energy & Technology Co., Ltd. Room 536, 5th Floor, Building 1, No. 777, Sizhuan Road, Songjiang District, Shanghai, P.R. China			
Prüfgegenstand: <i>Test item:</i>	Energy storage integrated cabinet			
Bezeichnung / Typ-Nr.: <i>Identification / Type no.:</i>	EcoPower-Cube-L215A			
Auftrags-Inhalt: <i>Order content:</i>	TÜV mark approval			
Prüfgrundlage: <i>Test specification:</i>	EN IEC 62619: 2022 IEC 63056: 2020			
Wareneingangsdatum: <i>Date of sample receipt:</i>	2023-11-23			
Prüfmuster-Nr.: <i>Test sample no.:</i>	A003636587-001			
Prüfzeitraum: <i>Testing period:</i>	2024-01-05 – 2024-03-08			
Ort der Prüfung: <i>Place of testing:</i>	See page 5 for details.			
Prüflaboratorium: <i>Testing laboratory:</i>	TÜV Rheinland (Shanghai) Co., Ltd.			
Prüfergebnis*: <i>Test result*:</i>	Pass			
geprüft von: <i>tested by:</i>	Mike			
Datum: <i>Date:</i>	2024-04-30	Ausstellungsdatum: <i>Issue date:</i>	2024-04-30	
Stellung / Position:	Mike Ge/ PE	Stellung / Position:	Stone Wang / Expert	
Sonstiges / <i>Other:</i>	The product has been evaluated with EN 62477-1:2012+A11+A1+A12 refer to report No. CN24PD8A 001.			
Zustand des Prüfgegenstandes bei Anlieferung: <i>Condition of the test item at delivery:</i>	Prüfmuster vollständig und unbeschädigt <i>Test item complete and undamaged</i>			
* Legende:	P(ass) = entspricht o.g. Prüfgrundlage(n)	F(ail) = entspricht nicht o.g. Prüfgrundlage(n)	N/A = nicht anwendbar	N/T = nicht getestet
* Legend:	P(ass) = passed a.m. test specification(s)	F(ail) = failed a.m. test specification(s)	N/A = not applicable	N/T = not tested
<p>Dieser Prüfbericht bezieht sich nur auf das o.g. Prüfmuster und darf ohne Genehmigung der Prüfstelle nicht auszugsweise vervielfältigt werden. Dieser Bericht berechtigt nicht zur Verwendung eines Prüfzeichens. <i>This test report only relates to the above mentioned test sample. Without permission of the test center this test report is not permitted to be duplicated in extracts. This test report does not entitle to carry any test mark.</i></p>				

Prüfbericht-Nr.: CN24G0XJ 001
Test report no.:

Seite 2 von 31
Page 2 of 31

Anmerkungen
Remarks

- | | |
|---|--|
| 1 | <p>Alle eingesetzten Prüfmittel waren zum angegebenen Prüfzeitraum gemäß eines festgelegten Kalibrierungsprogramms unseres Prüfhauses kalibriert. Sie entsprechen den in den Prüfprogrammen hinterlegten Anforderungen. Die Rückverfolgbarkeit der eingesetzten Prüfmittel ist durch die Einhaltung der Regelungen unseres Managementsystems gegeben.
Detaillierte Informationen bezüglich Prüfkonditionen, Prüfequipment und Messunsicherheiten sind im Prüflabor vorhanden und können auf Wunsch bereitgestellt werden.</p> <p><i>The equipment used during the specified testing period was calibrated according to our test laboratory calibration program. The equipment fulfils the requirements included in the relevant standards. The traceability of the test equipment used is ensured by compliance with the regulations of our management system. Detailed information regarding test conditions, equipment and measurement uncertainty is available in the test laboratory and could be provided on request.</i></p> |
| 2 | <p>Wie vertraglich vereinbart, wurde dieses Dokument nur digital unterzeichnet. Der TÜV Rheinland hat nicht überprüft, welche rechtlichen oder sonstigen diesbezüglichen Anforderungen für dieses Dokument gelten. Diese Überprüfung liegt in der Verantwortung des Benutzers dieses Dokuments. Auf Verlangen des Kunden kann der TÜV Rheinland die Gültigkeit der digitalen Signatur durch ein gesondertes Dokument bestätigen. Diese Anfrage ist an unseren Vertrieb zu richten. Eine Umweltgebühr für einen solchen zusätzlichen Service wird erhoben. Informationen zur Verifizierung der Authentizität unserer Dokumente erhalten Sie auf folgender Webseite: go.tuv.com/digital-signature</p> <p><i>As contractually agreed, this document has been signed digitally only. TUV Rheinland has not verified and unable to verify which legal or other pertaining requirements are applicable for this document. Such verification is within the responsibility of the user of this document. Upon request by its client, TUV Rheinland can confirm the validity of the digital signature by a separate document. Such request shall be addressed to our Sales department. An environmental fee for such additional service will be charged. For information on verifying the authenticity of our documents, please visit the following website: go.tuv.com/digital-signature</i></p> |
| 3 | <p>Prüfklausel mit der Note * wurden an qualifizierte Unterauftragnehmer vergeben und sind unter der jeweiligen Prüfklausel des Berichts beschrieben.
Abweichungen von Prüfspezifikation(en) oder Kundenanforderungen sind in der jeweiligen Prüfklausel im Bericht aufgeführt.</p> <p><i>Test clauses with remark of * are subcontracted to qualified subcontractors and described under the respective test clause in the report.
Deviations of testing specification(s) or customer requirements are listed in specific test clause in the report.</i></p> |
| 4 | <p>Die Entscheidungsregel für Konformitätserklärungen basierend auf numerischen Messergebnissen in diesem Prüfbericht basiert auf der "Null-Grenzwert-Regel" und der "Einfachen Akzeptanz" gemäß ILAC G8:2019 und IEC Guide 115:2021, es sei denn, in der auf Seite 1 dieses Berichts genannten angewandten Norm ist etwas anderes festgelegt oder vom Kunden gewünscht. Dies bedeutet, dass die Messunsicherheit nicht berücksichtigt wird und daher auch nicht im Prüfbericht angegeben wird. Zu weiteren Informationen bezüglich des Risikos durch diese Entscheidungsregel siehe ILAC G8:2019.</p> <p><i>The decision rule for statements of conformity, based on numerical measurement results, in this test report is based on the "Zero Guard Band Rule" and "Simple Acceptance" in accordance with ILAC G8:2019 and IEC Guide 115:2021, unless otherwise specified in the applied standard mentioned on Page 1 of this report or requested by the customer. This means that measurement uncertainty is not taken in account and hence also not declared in the test report. For additional information to the resulting risk based of this decision rule please refer to ILAC G8:2019.</i></p> |

Test Report issued under the responsibility of:



TEST REPORT IEC 62619 Secondary cells and batteries containing alkaline or other non-acid electrolytes – Safety requirements for secondary lithium cells and batteries, for use in industrial applications	
Report Number :	CN24G0XJ 001
Date of issue	See cover page
Total number of pages	See cover page
Name of Testing Laboratory preparing the Report	TÜV Rheinland (Shanghai) Co., Ltd.
Applicant's name	CSE Energy & Technology Co., Ltd.
Address	Room 536, 5th Floor, Building 1, No. 777, Sizhuan Road, Songjiang District, Shanghai, P.R. China
Test specification:	
Standard	IEC 62619:2022
Test procedure :	TÜV mark approval
Non-standard test method :	N/A
TRF template used	IECEE OD-2020-F1:2022, Ed.1.5
Test Report Form No. :	IEC62619B
Test Report Form(s) Originator :	UL Solutions (Demko)
Master TRF	Dated 2023-02-24
Copyright © 2023 IEC System of Conformity Assessment Schemes for Electrotechnical Equipment and Components (IECEE System). All rights reserved.	
This publication may be reproduced in whole or in part for non-commercial purposes as long as the IECEE is acknowledged as copyright owner and source of the material. IECEE takes no responsibility for and will not assume liability for damages resulting from the reader's interpretation of the reproduced material due to its placement and context.	
This report is not valid as a CB Test Report unless signed by an approved IECEE Testing Laboratory and appended to a CB Test Certificate issued by an NCB in accordance with IECEE 02.	
General disclaimer:	
The test results presented in this report relate only to the object tested. This report shall not be reproduced, except in full, without the written approval of the Issuing NCB. The authenticity of this Test Report and its contents can be verified by contacting the NCB, responsible for this Test Report.	

Test item description	See cover page	
Trademark(s)	N/A	
Manufacturer	Same as applicant	
Model/Type reference	See cover page	
Ratings	See copy of marking label and model list.	
Responsible Testing Laboratory (as applicable), testing procedure and testing location(s):		
<input type="checkbox"/>	CB Testing Laboratory:	
Testing location/ address		
Tested by (name, function, signature)		
Approved by (name, function, signature) ..		
<input type="checkbox"/>	Testing procedure: CTF Stage 1:	
Testing location/ address		
Tested by (name, function, signature)		
Approved by (name, function, signature) ..		
<input type="checkbox"/>	Testing procedure: CTF Stage 2:	
Testing location/ address		
Tested by (name + signature)		
Witnessed by (name, function, signature) . :		
Approved by (name, function, signature) ..		
<input type="checkbox"/>	Testing procedure: CTF Stage 3:	
<input type="checkbox"/>	Testing procedure: CTF Stage 4:	
Testing location/ address		
Tested by (name, function, signature)		
Witnessed by (name, function, signature) . :		
Approved by (name, function, signature) ..		
Supervised by (name, function, signature) :		

List of Attachments (including a total number of pages in each attachment):

ATTACHMENT 1 – PHOTO DOCUMENTATION (12 pages)

ATTACHMENT 2 – CRITICAL COMPONENTS DOCUMENTATION (CDF, 15 pages)

Summary of testing:
Tests performed (name of test, test clause and date test performed):

Clause(s)	Test(s)	Test date
7.2.3.3	Edge and corner drop test (battery system)	2024-02-17
8.2.2	Overcharge control of voltage (battery system)	2024-02-20
8.2.3	Overcharge control of current (battery system)	2024-02-20
8.2.4	Overheating control (battery system)	2024-02-20

Testing location: (CBTL, SPTL, CTF, Subcontractor)

SRF testing and certification (Changzhou) Co., LTD.
 No.27 Chuangzhi Road, Kunlun Street, Liyang City, Jiangsu

The samples comply with the requirement of IEC 62619: 2022.

Summary of compliance with National Differences (List of countries addressed):

The product fulfils the requirements of ___ EN IEC 62619: 2022 ___ (insert standard number and Year of publication, and delete the text in parenthesis, leave it blank or delete the whole sentence, if not applicable)

Use of uncertainty of measurement for decisions on conformity (decision rule) :

No decision rule is specified by the IEC standard, when comparing the measurement result with the applicable limit according to the specification in that standard. The decisions on conformity are made without applying the measurement uncertainty ("simple acceptance" decision rule, previously known as "accuracy method").

Other: ... (to be specified, for example when required by the standard or client, or if national accreditation requirements apply)

Information on uncertainty of measurement:


The uncertainties of measurement are calculated by the laboratory based on application of criteria given by OD-5014 for test equipment and application of test methods, decision sheets and operational procedures of IECEE.

IEC Guide 115 provides guidance on the application of measurement uncertainty principles and applying the decision rule when reporting test results within IECEE scheme, noting that the reporting of the measurement uncertainty for measurements is not necessary unless required by the test standard or customer.

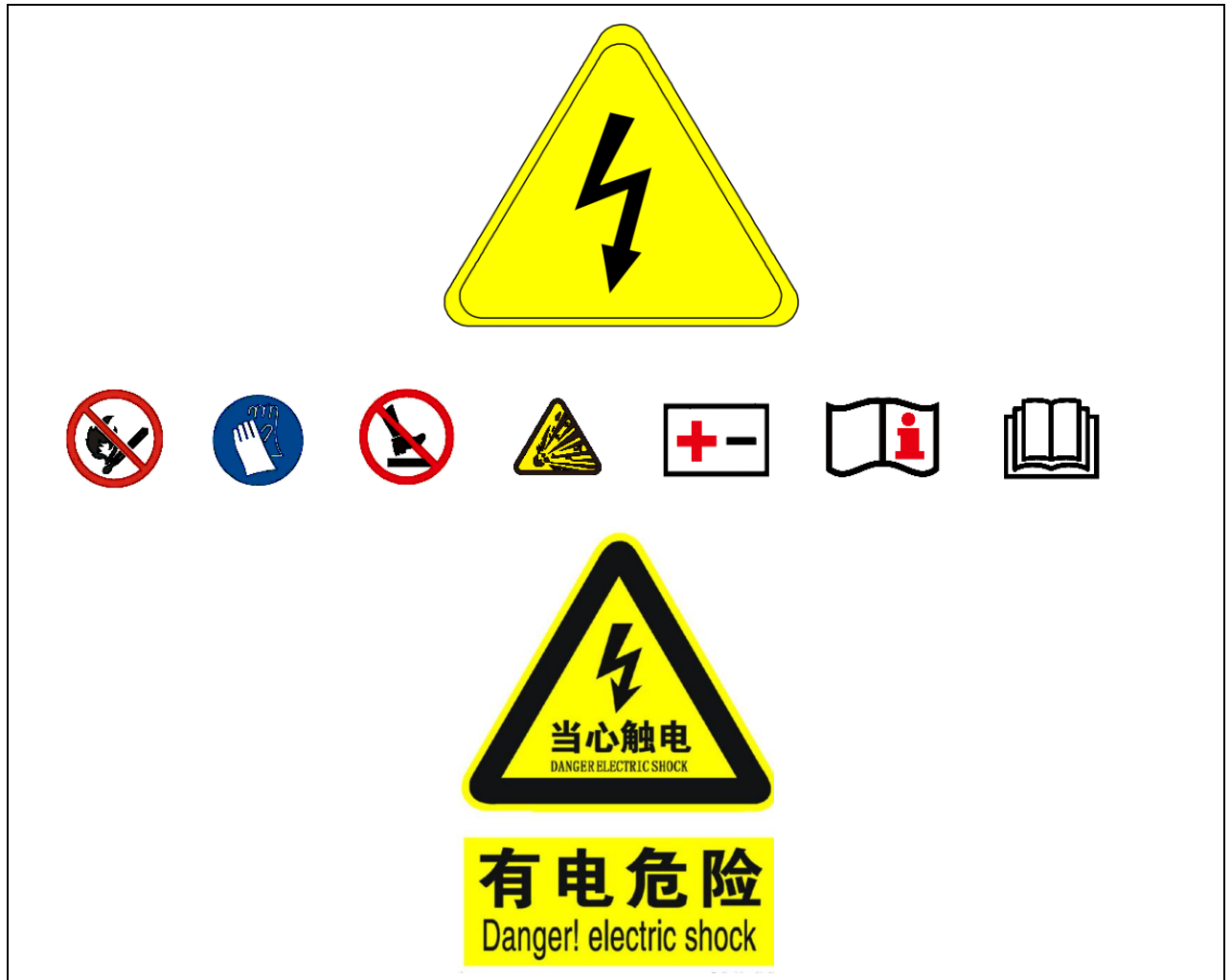
Calculations leading to the reported values are on file with the NCB and testing laboratory that conducted the testing.

Copy of marking plate:

The artwork below may be only a draft. The use of certification marks on a product must be authorized by the respective NCBs that own these marks.

AC output Data (Grid On)		AC output Data (Back-up)	
Rated Output Power:	100kW	Rated Output Power:	100kW
Rated Output Current:	145A	Rated Output Voltage:	230/400V
Rated Output Voltage:	230/400V	Rated Output Frequency:	50Hz/60Hz
Rated Output Frequency:	50Hz/60Hz		
Power Factor:	-0.99~+0.99		
Battery Data		General Data	
Battery Capacity:	280Ah	Max. efficiency:	>90%
System Energy:	215.04kWh	Protective Class:	Class I
Battery voltage range:	DC672~ 852V	Working Temperature:	-15~+55℃
Battery Rated current:	140A	IP Rating:	IP54
Battery Maximum current:	170A	Weight:	2600kg
Type: Secondary Lithium Battery System		Size (W*D*H):	1300*1400*2300mm
IFFP74/176/209/[(48S) 5S]M/-10+50/95			
Device Name: Energy storage integrated cabinet			
Manufacturer: CSE Energy & Technology Co., Ltd.			
Manufacturer's Address: Room 536, 5th Floor, Building 1, No. 777, Sizhuan Road, Songjiang			
District: Shanghai, P. R. China			
			
CSE Energy & Technology Co., Ltd. www.solarcse.com			Made in China

Warning labels:



Test item particulars:	
Classification of installation and use: To be defined in final product	
Supply Connection: Not directly connected to mains:	
Possible test case verdicts: - test case does not apply to the test object..... : N/A - test object does meet the requirement..... : P (Pass) - test object does not meet the requirement..... : F (Fail)	
Testing:	
Date of receipt of test item: See cover page	
Date (s) of performance of tests: See cover page	
General remarks:	
"(See Enclosure #)" refers to additional information appended to the report. "(See appended table)" refers to a table appended to the report. Throughout this report a <input type="checkbox"/> comma / <input checked="" type="checkbox"/> point is used as the decimal separator.	
Manufacturer's Declaration per sub-clause 4.2.5 of IEC60335-1:	
The application for obtaining a CB Test Certificate includes more than one factory location and a declaration from the Manufacturer stating that the sample(s) submitted for evaluation is (are) representative of the products from each factory has been provided	<input type="checkbox"/> Yes <input checked="" type="checkbox"/> Not applicable
When differences exist; they shall be identified in the General product information section.	
Name and address of factory (ies): Same as applicant	
General product information and other remarks:	
<u>Product Description:</u> This report only considered the battery system of the Battery Energy Storage System. 1. The Battery Energy Storage System EcoPower-Cube-L215A include one PCS cabinet, one power distribution cabinet, auxiliary distribution system, liquid cooling system, fire suppression system and one battery rack including 5 battery packs: a) The auxiliary distribution box is for providing the auxiliary power for whole BMS control system, cooling system. 2. The function of BMS control box is the battery management unit. The battery packs contain 48	

cells in structure 48S. And each battery pack contains one BMU board for measuring and collecting the cell parameters and uploading the information of cell voltage and temperature.

3. The insulation between the DC circuit and the metal enclosure is basic insulation. And the insulation between the DC circuit and communication ports is reinforced insulation.
4. OVC II used in the restricted access area, it shall be isolated from an isolated transformer or protected in a manner that prevents transient overvoltage conditions in end use.
5. Auxiliary power should be supplied by separate OCV II mains.
6. The IP rating of the EUT is IP54, PD 2 inside and PD 3 outside evaluated.
7. The BMS functional safety was evaluated according to IEC 60730-1 Annex H.
8. The PCS is certified individually by TÜV Rheinland (Shanghai) Co., Ltd.

Insulation structure description of container

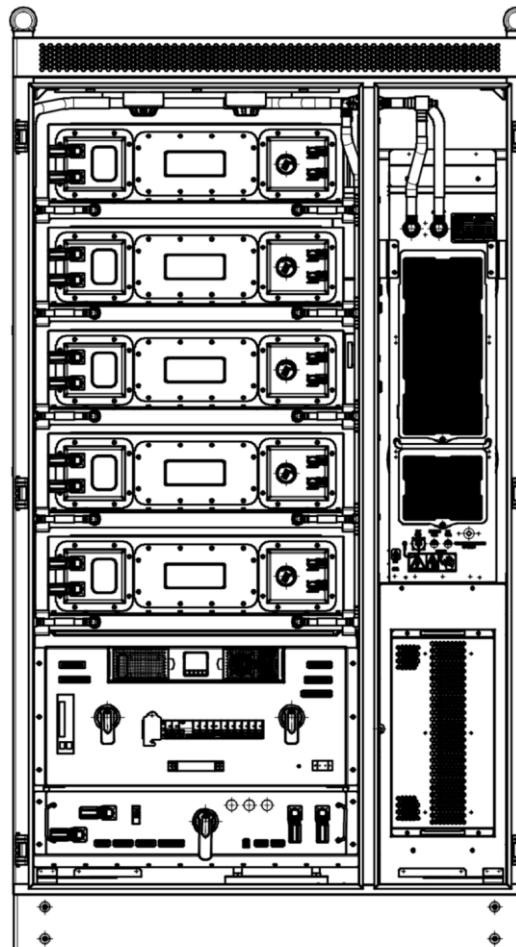
The Battery container is designed as isolation type. Please see the classification of circuit as below

- Primary circuit: Battery input/output, AC input Auxiliary power input
- SELV circuit: External communication circuit of BMS control box and battery packs

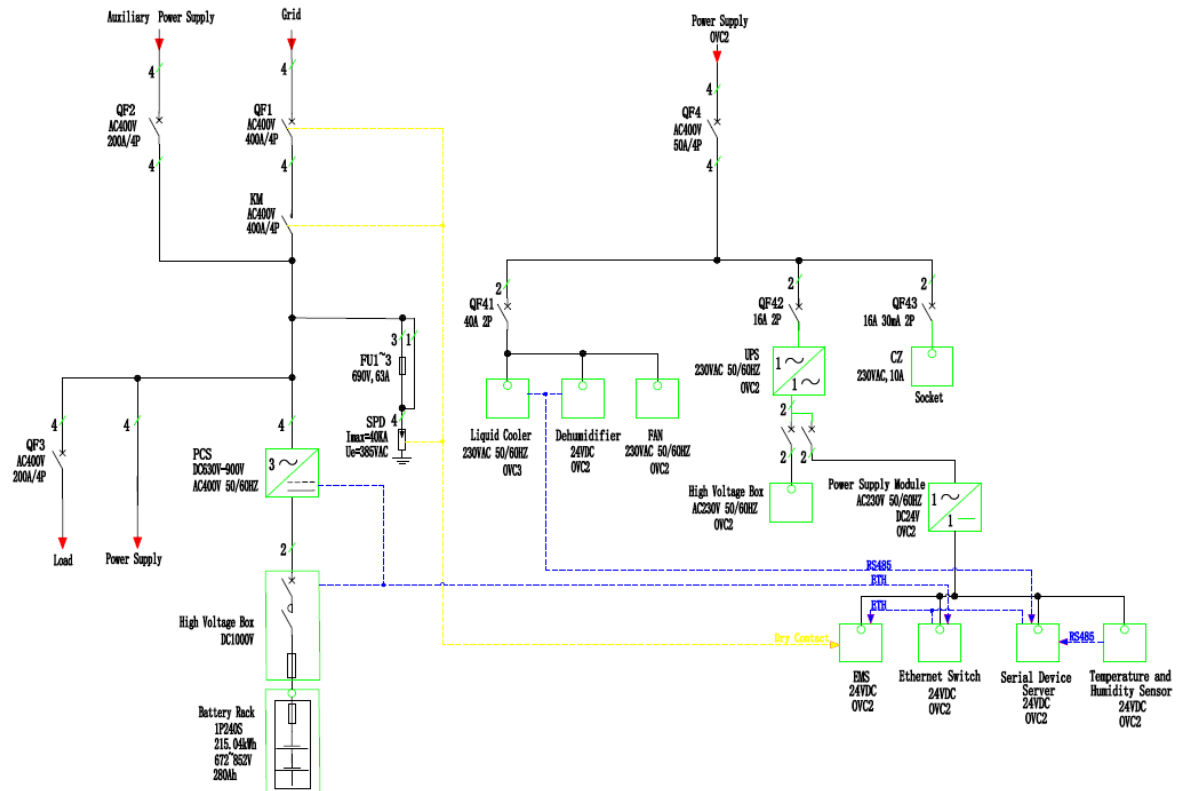
Therefore

- Basic insulation between Primary circuit and earthed metal chassis
- Double/reinforced insulation between Primary circuit and SELV circuit, details see below table

Energy Storage System structure:



Block diagram as below



Mode lists:

1. Battery in Container

	Cell	Module	Battery system
Product	Rechargeable Lithium Ion Cell	Rechargeable Li-ion Battery	Energy storage integrated cabinet
Type/model	LF280K	CSE-1P48S-L280-A00;	EcoPower-Cube-L215A
Cell Capacity [Ah]	280	280	280
Cell Quantity	1	48	240
Battery structure	--	IP48S	1P240S
Nominal voltage [V]	3.2	153.6	768.0
Rated capacity [Wh]	896	43008	215040
Upper limit charging voltage [V]	3.9	170.4	852
Recommend charging current [A]	--	140	140
Maximum charging	360	170	170

current [A]			
Recommend discharging current [A]	--	140	140
Maximum discharging current [A]	360	170	170
End-of-charge voltage [V]	3.9	3.55V*48(170.4v)	3.55V*240(852v)
End-of-discharge voltage [V]	2.5(T \geq 0°C); 2(T<0°C)	2.8V*48(134.4V)	2.8V*240(672V)
Discharge cut-off voltage [V]	2.5(T \geq 0°C); 2(T<0°C)	2.8V*48(134.4V)	2.8V*240(672V)
Temperature range for charging [°C]	0 to 65	3 to 52	3 to 52*
Temperature range for discharging [°C]	-30 to 65	-15 to 52	-15 to 52
Operating ambient temperature [°C]	--	--	-15 to 55
Temperature threshold for protection	--	53	53
Overcharge protected voltage supply by battery system	--	\geq 3.60V /Cell	\geq 3.60V /Cell
Recommend charging method by manufacturer	At constant power 448W till cell voltage reaches 3.65V, and rest for 30min at 25 \pm 2°C	Charge at constant current 140A until the voltage reaches 170.4V	Charge at constant current 140A until the voltage reaches 852V
Dimension [mm]	(71.70 \pm 1.5)mm* (173.70 \pm 1.5)mm* (207.20 \pm 1.5)mmT*W *H(mm) without terminal	L(1142.5 \pm 2)mm*W(810 \pm 1)mm* (249 \pm 2)mm T*W*H(mm) without terminal	1300*1400*2300mm T*W*H(mm) without terminal
Weight [kg]	5.48 \pm 0.3	320kg(\pm 1%)	2600kg(\pm 1%)
Ingress Protection (IP)	--	IP67	IP54
Protective Class	-	-	I
Cooling type	-	Liquid cooling	Liquid cooling
Altitude	-	2000m	2000m
<p>*:Battery protection is set by cell temperature setting, The ambient temperature of the equipment is quite different from the actual temperature of the battery cell.</p> <p>*: When the cell temperature is not greater than 45 ° C and not lower than 15 ° C, the constant current charge is 140A, the maximum charge and discharge current is 170A, and the derating begins when the cell temperature is greater than 45 ° C</p> <p>*:When the cell temperature reaches 45 degrees, the charge and discharge power is reduced to half of the rated power; When the cell temperature reaches 52 degrees, stop charging and discharging.</p>			

*:The temperature of the cell is below minus 5 degrees, and it is discharged at 0.2C current

2. PCS Cabinet:

MODELS LIST		INPPCS-100/0.4-W-24-C1-OS
DC Side	V _{MAX} DC [Vdc]	900
	Voltage Range V[Vdc]	630 to 900
	Max. DC current [Ad.c.]	175
	Rated DC power [kW]	100
	Max. DC power [kW]	110
	Oversvoltage Category (OVC)	II
AC Side	Rated Output Voltage Ur [Vac]	3L / N / PE, 230 / 400
	AC rated Input /Output active Power P _E [kW]	100
	Rated Output Frequency F _{NETZ} [Hz]	50 / 60
	Harmonic (THDi)	≤5% (at nominal Power), Lin-ear load
	Max. AC Input/Output current [Aa.c.]	160
	AC voltage tolerance	-15%- +15%
	Adjustable reactive Power range	-100%–100%
	Power Factor cosφ [λ]	-0.99+0.99, At nominal Power
	Oversvoltage Category (OVC)	III
System	Max. efficiency	>98%
	Protective Class	I
	Ingress Protection (IP)	IP20
	Operating Temperature Range [°C]	-25 to 60 (>45 derating)
	Cooling Type	Air Cooling
	Pollution degree (PD)	3
	Altitude [m]	4000
	Weight [kg]	70
Size [mm]	480 mm × 260 mm × 620 mm, Cabinet size	

3. Energy Storage System

MODELS LIST		EcoPower-Cube-L215A
DC side	VMAX DC[Vdc]	852
	Battery Nominal Voltage [Vd.c.]	768
	Rated capacity	215040Wh
	Max. Current I _{max} [A]	170
	Voltage Range [Vd.c.]	672 to 852
AC side	PCS Cabinet Model	INPPCS-100/0.4-W-24-C1-OS
	Rated H.V. voltage [kVa.c.]	100(3P3W)
	Rated H.V. current [A a.c.]	160
	Rated grid frequency [Hz]	50/60
	Max. Current [A d.c.]	160
	Rated AC power [kVA]	100
	Overvoltage Category (OVC)	III
Battery Energy Storage System	IP rating/ Enclosure index / type	IP 54
	Protective Class	I
	Operating Temperature Range [°C]	-15 to 52(>45 derating)
	Pollution degree (PD)	PD3(outside), PD2(inside)
	Altitude [m]	2000
	Weight [kg]	2600 ± 10
	Size (W x D x H) [mm]	1300 * 1400* 2300

Additional test item particulars :	
Equipment mobility :	<input type="checkbox"/> movable <input type="checkbox"/> hand-held <input checked="" type="checkbox"/> stationary <input type="checkbox"/> fixed <input type="checkbox"/> transportable <input type="checkbox"/> for building-in
Connection to the mains:	<input type="checkbox"/> pluggable equipment <input type="checkbox"/> direct plug-in <input checked="" type="checkbox"/> permanent connection <input type="checkbox"/> for building-in
Environmental category :	<input checked="" type="checkbox"/> outdoor <input type="checkbox"/> indoor unconditional <input type="checkbox"/> indoor conditional
Over voltage category Mains :	<input type="checkbox"/> OVC I <input type="checkbox"/> OVC II <input checked="" type="checkbox"/> OVC III <input type="checkbox"/> OVC IV
Over voltage category Battery :	<input type="checkbox"/> OVC I <input checked="" type="checkbox"/> OVC II <input type="checkbox"/> OVC III <input type="checkbox"/> OVC IV
Mains supply tolerance (%) :	-15~+15%
Tested for power systems :	TN
IT testing, phase-phase voltage (V) :	---
Class of equipment:	<input checked="" type="checkbox"/> Class I <input type="checkbox"/> Class II <input type="checkbox"/> Class III <input type="checkbox"/> Not classified
Mass of equipment (kg) :	See model list
Pollution degree :	See model list
IP protection class :	See model list
For more information :	See model list

IEC 62619			
Clause	Requirement + Test	Result - Remark	Verdict
4	PARAMETER MEASUREMENT TOLERANCES		P
	Parameter measurement tolerances		P

5	GENERAL SAFETY CONSIDERATIONS		P
5.1	General		P
	Cells and batteries are safe under conditions of both intended use and reasonably foreseeable misuse... :	Clause 6, Clause 7, 8.1, and 8.2. See also table 5.1 for Critical components information	P
	Reduce the risk of injuries from moving parts		P
5.2	Insulation and wiring		
	Voltage, current, altitude, and humidity requirements		P
	Adequate clearances and creepage distances between connectors and live parts at different voltages or between live parts and non-current-carrying accessible parts		P
	Protect from hazardous live parts, including during installation		P
	The mechanical integrity of internal connections		P
5.3	Venting		P
	Pressure relief function	Pressure relief function exists.	P
	Encapsulation used to support cells within an outer casing		P
5.4	Temperature/voltage/current management		P
	The design prevents abnormal temperature-rise	Overcharge, over current and overheating proof circuit used in this battery. See tests of clause 8.	P
	Voltage, current, and temperature limits of the cells		P
	Specifications and charging instructions for equipment manufacturers	The charging limits specified in the user manual.	P
5.5	Terminal contacts of the battery pack and/or battery system		P
	Polarity marking(s)		P
	Polarity marking not provided for keyed external connector		P
	Capability to carry the maximum anticipated current		P
	External terminal contact surfaces		P

IEC 62619			
Clause	Requirement + Test	Result - Remark	Verdict
	Terminal contacts are arranged to minimize the risk of short circuits		P
5.6	Assembly of cells, modules, or battery packs into battery systems		P
5.6.1	General		P
	Independent control and protection method(s)	Battery system has independent control and protective functions, and BMS is integrated into battery system.	P
	Recommendations of cell operating limits, mounting advice, storage conditions and other design recommendations by the cell manufacturer		P
	Batteries designed for the selective discharge of a portion of their series connected cells		N/A
	Protective circuit component(s) and consideration to the end-device application		P
5.6.2	Battery system design		P
	The voltage control function		P
	Maximum charging/discharging current of the cell are not exceeded		P
5.7	Operating region of lithium cells and battery systems for safe use		P
	The cell operating region..... :		P
	Designation of battery system to comply with the cell operating region	Information mentioned in manufacturer's specifications.	P
5.8	System lock (or system lock function)		P
	Non-resettable function to stop battery operation		P
	Manual with procedure for resetting of battery operation		P
	Emergency battery final discharge		P
5.9	Quality plan		P
	Manufacturing quality plan (for example: ISO9001, etc.) prepared and implemented..... :	ISO 9001:2015 certification provided.	P
	The process capabilities and the process controls		P

6	TYPE TEST CONDITIONS		P
6.1	General		P
6.2	Test items		P

IEC 62619			
Clause	Requirement + Test	Result - Remark	Verdict
	Cells or batteries that are not more than six months old (See Table 1 of IEC 62619)		P
	Capacity confirmation of the cells or batteries		P
	Default ambient temperature of test, 25 °C ± 5 °C	Tests were carried out in an ambient temperature of 25±5°C.	P

7	SPECIFIC REQUIREMENTS AND TESTS		P
7.1	Charging procedure for test purposes		P
	The battery discharged to a specified final voltage prior to charging		P
	The cells or batteries charged using the method specified by the manufacturer..... :	The method mentioned in manufacturer's specifications.	P
7.2	Reasonably foreseeable misuse		P
7.2.1	External short-circuit test (cell or cell block)	Approval cell used.	N/A
	Short circuit with total resistance of 30 mΩ ± 10 mΩ at 25 °C ± 5 °C		N/A
	Results: no fire, no explosion		N/A
7.2.2	Impact test (cell or cell block)	Approval cell used.	N/A
	Cylindrical cell, longitudinal axis impact		N/A
	Prismatic cell, longitudinal axis and lateral axis impact		N/A
	Results: no fire, no explosion.		N/A
7.2.3	Drop test (cell or cell block, and battery system)		P
7.2.3.1	General		P
7.2.3.2	Whole drop test (cell or cell block, and battery system)	Approval cell used.	N/A
	Description of the Test Unit..... :		—
	Mass of the test unit (kg)..... :		—
	Height of drop (m)..... :		—
	Results: no fire, no explosion		N/A
7.2.3.3	Edge and corner drop test (cell or cell block, and battery system)		P
	Description of the Test Unit..... :	EcoPower-Cube-L215A	—
	Mass of the test unit (kg)..... :	2600kg	—

IEC 62619			
Clause	Requirement + Test	Result - Remark	Verdict
	Height of drop (m)..... :	2.5cm	—
	Results: no fire, no explosion	No fire, no explosion.	P
7.2.4	Thermal abuse test (cell or cell block)	Approval cell used.	N/A
	Results: no fire, no explosion		N/A
7.2.5	Overcharge test (cell or cell block)	Approval cell used.	N/A
	For those battery systems that are provided with only a single protection for the charging voltage control		—
	Results: no fire, no explosion..... :	See Table 7.2.5.	N/A
7.2.6	Forced discharge test (cell or cell block)		N/A
	Cells connected in series in the battery system		N/A
	Redundant or single protection for discharge voltage control provided in battery system		N/A
	Target Voltage		N/A
	Maximum discharge current of the cell, I _m :		N/A
	Discharge current for forced discharge, 1.0 I _t		N/A
	Discharging time, t = (1 I _t / I _m) x 90 (min.)		N/A
	Results: no fire, no explosion..... :	See Table 7.2.6.	N/A
7.3	Considerations for internal short-circuit – Design evaluation		
7.3.1	General	Approval cell used.	N/A
7.3.2	Internal short-circuit test (cell)		N/A
	Samples preparation procedure: In accordance with Clause A.5 and A.6 of IEC 62133-2:2017		N/A
	Tested per 7.3.2 b) in an ambient temperature of 25 °C ± 5 °C.		N/A
	The appearance of the short-circuit location recorded by photograph or other means		—
	The pressing was stopped - When a voltage drop of 50 mV was detected; or		N/A
	- The pressing force of 800 N (cylindrical cells) or 400 N (prismatic cells) was reached		N/A
	Results: no fire..... :	See Table 7.3.2.	N/A
7.3.3	Propagation test (battery system)		N/A
	Method to create a thermal runaway in one cell ... :	See Annex B and C	N/A

IEC 62619			
Clause	Requirement + Test	Result - Remark	Verdict
	Results: No external fire from the battery system, no battery case rupture	See results in Table 7.3.3	N/A

8	BATTERY SYSTEM SAFETY (CONSIDERING FUNCTIONAL SAFETY)		P
8.1	General requirements		P
	Functional safety analysis for critical controls	Functional safety evaluated acc. to IEC 60730-1 Annex H	P
	Conduct of a process hazard analysis for both the cell manufacturing process and the battery system manufacturing process	See above.	P
	Conduct of risk assessment and mitigation of the battery system		P
8.2	Battery management system (or battery management unit)		P
8.2.1	Requirements for the BMS		P
	The safety integrity level (SIL) target of the BMS		N/A
	The charge control evaluated by tests in clauses 8.2.2 to 8.2.4		P
8.2.2	Overcharge control of voltage (battery system)		P
	The exceeded charging voltage applied to the whole battery system		P
	The exceeded charging voltage applied to only a part of the battery system, such as the cell(s)		N/A
	Results: no fire, no explosion	See Table 8.2.2.	P
	The BMS terminated the charging before exceeding the upper limit charging voltage		P
8.2.3	Overcharge control of current (battery system)		P
	Results: no fire, no explosion	See Table 8.2.3	P
	The BMS detected the overcharging current and controlled the charging to a level below the maximum charging current		P
8.2.4	Overheating control (battery system)		P
	The cooling system, if provided, was disconnected		N/A
	Elevated temperature for charging, 5 °C above maximum operating temperature		P
	Results: no fire, no explosion	See Table 8.2.4	P
	The BMS detected the overheat temperature and terminated charging		P

IEC 62619			
Clause	Requirement + Test	Result - Remark	Verdict
	The battery system operated as designed during test		P

9	EMC		P
	Battery system fulfil EMC requirements of the end-device application..... :	Refer to EMC report CN23R56J 001	P

10	INFORMATION FOR SAFETY		P
	The cell manufacturer provides information about current, voltage and temperature limits of their products		P
	The battery system manufacturer provides information regarding how to mitigate hazards to equipment manufacturers or end-users.		P

11	MARKING AND DESIGNATION (REFER TO CLAUSE 5 OF IEC 62620)		P
	The marking items shown in Table 1 in IEC 62620 indicated on the cell, battery system or instruction manual.		P
	Cell or battery system has clear and durable markings		P
	Cell designation		N/A
	Battery designation		P
	Battery structure formulation		P

12	PACKAGING AND TRANSPORT		N/A
	Refer to Annex D		N/A

ANNEX A	OPERATING REGION OF CELLS FOR SAFE USE		P
A.1	General		P
A.2	Charging conditions for safe use		P
A.3	Consideration on charging voltage		P
A.4	Consideration on temperature		P
A.5	High temperature range		P

IEC 62619			
Clause	Requirement + Test	Result - Remark	Verdict
A.6	Low temperature range		P
A.7	Discharging conditions for safe use		P
A.8	Example of operating region		P

ANNEX B	PROCEDURE OF 7.3.3 PROPAGATION TEST BY LASER IRRADIATION	N/A
B.1	General	N/A
B.2	Test conditions	N/A
B.2.1	Cell test (preliminary test)	N/A
	The cell fully charged according to the manufacturer recommended conditions	—
	Laser irradiation point on the cell	—
	Output power of laser irradiation.....	—
	Tested in an ambient temperature of 25 °C ± 5 °C	N/A
	Repeat of cell test for 3 times	N/A
B.2.2	Battery system test (main test)	N/A
	The battery system fully charged according to the manufacturer recommended conditions	—
	Target cell to be laser irradiated	—
	The irradiation point on the target cell same or similar as that on the cell test	
	Output power of laser irradiation.....	—
	Tested in an ambient temperature of 25 °C ± 5 °C	N/A

ANNEX C	PROCEDURE OF 7.3.3 PROPAGATION TEST BY METHODS OTHER THAN LASER	N/A
C.1	General	N/A
C.2	Test conditions:	N/A
	– The battery fully charged according to the manufacturer recommended conditions	—
	– Target cell forced into thermal runaway	—
	– A specially prepared sample (e.g. a heater or a hole for nail penetration provided) used for ease of testing.....	—

IEC 62619			
Clause	Requirement + Test	Result - Remark	Verdict
C.3	Method used for initiating the thermal runaway. 1) Heater (Heater, Burner, Laser, Inductive heating) 2) Overcharge 3) Nail penetration of the cell 4) Combination of above methods 5) Other methods..... :		—

ANNEX D	PACKAGING AND TRANSPORT	N/A
	The materials and pack design chosen in a way as to prevent the development of unintentional electrical conduction, corrosion of the terminals and ingress of environmental contaminants	N/A
	Regulations concerning international transport of secondary lithium batteries	N/A

7.2.1	TABLE: External short-circuit test (cell or cell block)					N/A
Sample No.	Ambient (at 25°C ± 5°C)	OCV at start of test (V dc)	Resistance of Circuit (mΩ)	Maximum Case Temperature Rise ΔT (°C)	Results	

Supplementary information:
A – No fire or Explosion
B – Fire
C – Explosion
D – The test was completed after 6 h
E – The test was completed after the cell casing cooled to 20% of the maximum temperature rise
F – Other (Please explain): ____

7.2.5	TABLE: Overcharge test (cell or cell block)					N/A
Sample No.	OCV at start of test (V dc)	OCV at end of test (V dc)	Measured Maximum Charging Current (A)	Measured Maximum Charging Voltage (V dc)	Max. Cell Case Temperature, (°C)	Results

IEC 62619			
Clause	Requirement + Test	Result - Remark	Verdict

Supplementary information:

Results:

A – No fire or Explosion

B – Fire

C – Explosion

D – Test concluded when temperature reached a steady state condition

E – Test concluded when temperature returned to ambient

F – Other (Please explain): _____

7.2.6	TABLE: Forced discharge test (cell or cell block)	N/A
-------	---	-----

Sample No.	OCV before applying reverse charge, (V dc)	Target Voltage (V dc)	Measured Reverse Charge Current I_t , (A)	Total Time for Reversed Charge Application (min)	Results

Supplementary information:

Results:

A – No fire or Explosion

B – Fire

C – Explosion

D – Other (Please explain): _____

7.3.2	TABLE: Internal short-circuit test (cell)	N/A
-------	---	-----

Sample No.	OCV at start of test, (V dc)	Particle location ¹⁾	Maximum applied pressure, (N)	Results

IEC 62619			
Clause	Requirement + Test	Result - Remark	Verdict

Supplementary information:

1) Identify one of the following:

- 1: Nickel particle inserted between positive and negative (active material) coated area.
- 2: Nickel particle inserted between positive aluminium foil and negative active material coated area.

Results:

- A – No fire or explosion
- B – Fire
- C – Explosion
- D – Test concluded when 50 mV voltage drop occurred prior to reaching force limit
- E – Test concluded when 800/400 N pressure was reached and 50 mV voltage drop was not achieved
- F – Test was concluded when fire or explosion occurred
- G – Other (Please explain): __

7.3.3	TABLE: Propagation test (battery system)					N/A
Sample No.	OCV of Battery System Before Test, (V dc)	OCV of Target Cell Before Test, (V dc)	Maximum Cell Case Temperature, (°C)	Maximum DUT Enclosure Temperature, (°C)	Results	
Method of cell failure ¹⁾		Location of target cell		Area for fire protection (m ²)		

Supplementary information:

- 1) Cell can be failed through laser exposure, applied heat, overcharge, nail penetration or combinations of these failures or other acceptable methods. See supporting documentation for details on cell failure method
- 2) If the battery system has no outer covering, the manufacturer is required to specify the area for fire protection.

Results:

- A – No fire external to DUT enclosure or area for fire protection or no battery case rupture
- B – Fire external to DUT enclosure or area for fire protection
- C – Explosion
- D – Battery case rupture
- E – Other (Please explain): __

IEC 62619					
Clause	Requirement + Test			Result - Remark	Verdict
8.2.2	TABLE: Overcharge control of voltage (battery system)				P
Sample No.	OCV at start of test for Cell/Cell Blocks, (V dc)	Maximum Charging Current, (A)	Max. Charging Voltage, (V dc)	Max. Voltage of Cell/Cell Blocks, (V dc)	Results
Battery system1	2.843~2.902	170	170.4	3.632	A, D, F
			Charge Voltage Applied Battery System: 1)		
			Whole	Part	
			3.65*48**1.1=192.72	N/A	
Supplementary information:					
1) The exceeded voltage can be applied to only a part of the system such as the cell(s) in the battery system per Figure 6 of IEC 62619, if it is difficult to do it in using the whole battery system. 2) Tested on battery system using one pack CSE-1P48S-L280-A00.					
Results:					
A – No Fire or Explosion					
B – Fire					
C – Explosion					
D – The voltage of the measured cells or cell blocks did not exceed the upper limit charging voltage					
E – The voltage of the measured cells or cell blocks did exceed the upper limit charging voltage					
F – All function of battery system did operate as intended during the test.					
G – All function of battery system did not operate as intended during the test.					
H – Other (Please explain): ____					

IEC 62619			
Clause	Requirement + Test	Result - Remark	Verdict

8.2.3	TABLE: Overcharge control of current (battery system)			P
Sample No.	OCV at start of test, (V dc)	Max. Charging Current, (A)	Max. Charging Voltage, (V dc)	Results
Battery system1	141.4	170*1.2=204	170.3	A, D, F

Supplementary information:

- 1) The exceeded voltage can be applied to only a part of the system such as the cell(s) in the battery system per Figure 6 of IEC 62619, if it is difficult to do it in using the whole battery system.
- 2) Tested on battery system using one pack CSE-1P48S-L280-A00.

Results:

A – No fire or Explosion
 B – Fire
 C – Explosion
 D – Overcurrent sensing function of BMU did operate and then charging stopped
 E – Overcurrent sensing function of BMU did not operate and then charging stopped
 F – All function of battery system did operate as intended during the test.
 G – All function of battery system did not operate as intended during the test.
 H – Other (Please explain): _____

8.2.4	TABLE: Overheating control (battery system)			P
Model No.	OCV at start(SOC 50%) of test, V dc	Maximum Charging Current, A	Measured Maximum Charging Voltage, V dc	
Battery system1	158.8	170	170.4	
Maximum Specified Temperature of Battery System, °C		Maximum Measured Cell Case Temperature, °C	Results	
53.0		53.1	A, D, F	

IEC 62619			
Clause	Requirement + Test	Result - Remark	Verdict

Supplementary information:

When charging, temperature threshold for cell temperature protection is 53 °C.

Results:

A – No fire or Explosion

B – Fire

C – Explosion

D – Temperature sensing function of BMU did operate and then charging stopped

E – Temperature sensing function of BMU did not operate and then charging stopped

F – All function of battery system did operate as intended during the test.

G – All function of battery system did not operate as intended during the test.

H – Other (Please explain): _____

9	TABLE: EMC					P
Standard used for EMC test:						
Sample No.	EMC Test Item	Battery Condition	EMC Test Level/ Parameters	Compliance Criteria	Results	

- End of test report -



<p>TEST REPORT IEC 63056 Secondary cells and batteries containing alkaline or other non-acid electrolytes - Safety requirements for secondary lithium cells and batteries, for use in electrical energy storage systems</p>	
Report Number.....	CN24G0XJ 001 attachment 1
Date of issue.....	See cover page
Total number of pages	See cover page
Name of Testing Laboratory preparing the Report	TÜV Rheinland (Shanghai) Co., Ltd.
Applicant's name	CSE Energy & Technology Co., Ltd.
Address.....	Room 536, 5th Floor, Building 1, No. 777, Sizhuan Road, Songjiang District, Shanghai,P.R. China
Test specification:	
Standard	IEC 63056:2020
Test procedure	TÜV mark approval
Non-standard test method	N/A
TRF template used.....	IECEE OD-2020-F1:2020, Ed.1.4
Test Report Form No.	IEC63056A
Test Report Form(s) Originator	UL(Demko)
Master TRF	Dated 2020-10-15
<p>Copyright © 2020 IEC System of Conformity Assessment Schemes for Electrotechnical Equipment and Components (IECEE System). All rights reserved.</p> <p>This publication may be reproduced in whole or in part for non-commercial purposes as long as the IECEE is acknowledged as copyright owner and source of the material. IECEE takes no responsibility for and will not assume liability for damages resulting from the reader's interpretation of the reproduced material due to its placement and context.</p> <p>If this Test Report Form is used by non-IECEE members, the IECEE/IEC logo and the reference to the CB Scheme procedure shall be removed.</p> <p>This report is not valid as a CB Test Report unless signed by an approved IECEE Testing Laboratory and appended to a CB Test Certificate issued by an NCB in accordance with IECEE 02.</p>	
General disclaimer:	
<p>The test results presented in this report relate only to the object tested. This report shall not be reproduced, except in full, without the written approval of the Issuing NCB. The authenticity of this Test Report and its contents can be verified by contacting the NCB, responsible for this Test Report.</p>	

Test item description :	See cover page	
Trade Mark(s)	N/A	
Manufacturer	Same as applicant	
Model/Type reference	See cover page	
Ratings	See copy of marking label and model list.	
Responsible Testing Laboratory (as applicable), testing procedure and testing location(s):		
<input type="checkbox"/>	CB Testing Laboratory:	
Testing location/ address :		
Tested by (name, function, signature) :		
Approved by (name, function, signature) ... :		
<input type="checkbox"/>	Testing procedure: CTF Stage 1:	
Testing location/ address :		
Tested by (name, function, signature) :		
Approved by (name, function, signature) ... :		
<input type="checkbox"/>	Testing procedure: CTF Stage 2:	
Testing location/ address :		
Tested by (name + signature)		
Witnessed by (name, function, signature) . :		
Approved by (name, function, signature) ... :		
<input type="checkbox"/>	Testing procedure: CTF Stage 3:	
<input type="checkbox"/>	Testing procedure: CTF Stage 4:	
Testing location/ address :		
Tested by (name, function, signature) :		
Witnessed by (name, function, signature) . :		
Approved by (name, function, signature) ... :		
Supervised by (name, function, signature) :		

List of Attachments (including a total number of pages in each attachment): N/A											
Summary of testing:											
Tests performed (name of test and test clause): <table border="1"> <thead> <tr> <th><u>Clause(s)</u></th> <th><u>Test(s)</u></th> </tr> </thead> <tbody> <tr> <td>7.4</td> <td>Electric insulation check during transport and installation 2024-02-17</td> </tr> <tr> <td>7.6</td> <td>Protection against short circuit during transport and installation 2024-02-20</td> </tr> <tr> <td>7.8</td> <td>Overdischarge control of voltage (battery system) 2024-02-22</td> </tr> <tr> <td>7.9</td> <td>Drop test 2024-02-17</td> </tr> </tbody> </table>	<u>Clause(s)</u>	<u>Test(s)</u>	7.4	Electric insulation check during transport and installation 2024-02-17	7.6	Protection against short circuit during transport and installation 2024-02-20	7.8	Overdischarge control of voltage (battery system) 2024-02-22	7.9	Drop test 2024-02-17	Testing location: SRF testing and certification (Changzhou) Co., LTD. No.27 Chuangzhi Road, Kunlun Street, Liyang City, Jiangsu
<u>Clause(s)</u>	<u>Test(s)</u>										
7.4	Electric insulation check during transport and installation 2024-02-17										
7.6	Protection against short circuit during transport and installation 2024-02-20										
7.8	Overdischarge control of voltage (battery system) 2024-02-22										
7.9	Drop test 2024-02-17										
Summary of compliance with National Differences (List of countries addressed):											
<input checked="" type="checkbox"/> The product fulfils the requirements of IEC 63056:2020 (insert standard number and edition and delete the text in parenthesis, leave it blank or delete the whole sentence, if not applicable)											
Statement concerning the uncertainty of the measurement systems used for the tests (may be required by the product standard or client)											
<input type="checkbox"/> Internal procedure used for type testing through which traceability of the measuring uncertainty has been established: Procedure number, issue date and title: Calculations leading to the reported values are on file with the NCB and testing laboratory that conducted the testing.											
<input checked="" type="checkbox"/> Statement not required by the standard used for type testing (Note: When IEC or ISO standard requires a statement concerning the uncertainty of the measurement systems used for tests, this should be reported above. The informative text in parenthesis should be delete in both cases after selecting the applicable option)											

Copy of marking plate:

The artwork below may be only a draft. The use of certification marks on a product must be authorized by the respective NCBs that own these marks.

See report CN24G0XJ 001.

Test item particulars:	
Classification of installation and use: Skilled Person	
Supply Connection: permanent connection	
.....:	
Possible test case verdicts:	
- test case does not apply to the test object.....: N/A	
- test object does meet the requirement.....: P (Pass)	
- test object does not meet the requirement.....: F (Fail)	
Testing: See report CN24G0XJ 001	
Date of receipt of test item: See report CN24G0XJ 001	
Date (s) of performance of tests: See report CN24G0XJ 001	
General remarks:	
"(See Enclosure #)" refers to additional information appended to the report. "(See appended table)" refers to a table appended to the report.	
Throughout this report a <input type="checkbox"/> comma / <input checked="" type="checkbox"/> point is used as the decimal separator.	
Manufacturer's Declaration per sub-clause 4.2.5 of IEC 60335-1:	
The application for obtaining a CB Test Certificate includes more than one factory location and a declaration from the Manufacturer stating that the sample(s) submitted for evaluation is (are) representative of the products from each factory has been provided:	<input type="checkbox"/> Yes <input checked="" type="checkbox"/> Not applicable
When differences exist; they shall be identified in the General product information section.	
Name and address of factory (ies): See report CN24G0XJ 001	
General product information and other remarks: See report CN24G0XJ 001.	

IEC 63056			
Clause	Requirement + Test	Result - Remark	Verdict
4	PARAMETER MEASUREMENT TOLERANCES		
	Parameter measurement tolerances		P
5	GENERAL SAFETY CONSIDERATIONS		
5.1	General		P
	Battery systems and the cells comply with the applicable general safety considerations of IEC 62619.	Complied with IEC 62619	P
	Lithium-ion cells be operated within the operating region and the storage conditions.		P
	Cells and batteries are safe under conditions of both intended use and reasonably foreseeable misuse.. :		P
5.2	Insulation and wiring		P
	Voltage, current, altitude, and humidity requirements		P
	Adequate clearances and creepage distances between connectors in accordance with IEC 60950-1:2005, 3.1 and 3.2		P
	Hazardous live parts of the battery system be protected to avoid the risk of electric shocks, including during installation.	Considered	N/A
	Mechanical integrity of the battery system and connections follow the requirements from the end-use equipment manufacturer or Annex A.		P
	Maximum allowed number of series connections in the specification or instruction manual..... :		P
5.3	The peak voltage of charging		P
	Peak voltage of the alternating component of charging current is under the upper limit charging voltage, by monitoring the voltage of every single cell or cell block.		P
	Encapsulation used to support cells within an outer casing		P
6	TYPE TEST CONDITIONS		
6.1	General		P
6.2	Test items		P
	Cells or batteries that are not more than six months old (See Table 1 of IEC63056)	considered	P
	Capacity confirmation of the cells or batteries	considered	P
	Default ambient temperature of test, 25 °C ± 5 °C	considered	P

IEC 63056			
Clause	Requirement + Test	Result - Remark	Verdict
7	SPECIFIC REQUIREMENTS AND TESTS		
7.1	Basic requirement		P
	Cells and battery systems comply with the tests of IEC62619 in addition to the test requirements of this document.		P
7.2	Resistance to abnormal heat		N/A
	Non-metallic materials on which parts at HAZARDOUS VOLTAGE are directly mounted, resistant to abnormal heat.		N/A
	Ball pressure test according to IEC60695-10-2 at $(\Delta T + T_{max} + 15 \text{ °C}) \pm 2 \text{ °C}$:	See Table 7.2	N/A
7.3	Casing material of a battery system that can be transported for installation or maintenance		N/A
	Thermoplastic materials used for casing be of class V-2, V-1 or V-0		N/A
	Components mounted on V-1 CLASS MATERIAL and be separated from case material of V-2 CLASS MATERIAL by at least 13 mm of air, or by a solid barrier of V-1 CLASS MATERIAL..... :		N/A
	Materials be tested at a thickness equal to the smallest thickness used in the application and classified in accordance with IEC 60695-11-10..... :		N/A
7.4	Electric insulation check during transport and installation		P
	Hazardous live parts be covered or insulated against contact with the personnel during transport and installation.		P
	Insulation resistance test in an ambient temperature of $25 \text{ °C} \pm 5 \text{ °C}$ tested in accordance with IEC 62133:2017, 5.2.		P
	Ambient (°C); measured insulation resistance (MΩ); $\geq 5 \text{ M}\Omega$:		P
7.5	Charging procedures for test purposes		P
	Prior to charging, the DUT have been discharged at $20 \text{ °C} \pm 5 \text{ °C}$ at a constant current of 0,2 It A down to a specified final voltage	considered	P
	Unless otherwise stated, the DUT is then charged in an ambient temperature of $25 \text{ °C} \pm 5 \text{ °C}$, using the method specified by the manufacturer.		P
7.6	Protection against short circuit during transport and installation		P
	A safeguard is provided by the battery system manufacturer to reduce the risk of short circuit for personnel at the time of electrical installation or transport.		P

IEC 63056			
Clause	Requirement + Test	Result - Remark	Verdict
	Where the battery pack is divided into parts for the purpose of transportation, protective safeguards shall be provided not only for the battery system, but also for each part.		P
	Short circuit the DUT with total external resistance of $(30 \text{ m}\Omega \pm 10 \text{ m}\Omega) \times \text{module configuration}$ (= number of series connections / number of parallel connections) or less than 5 m Ω , whichever is higher, and less than 100 m Ω .		—
	Results: no rupture, no fire, no explosion..... :	See Table 7.6	P
7.7	Protection for reverse connection		N/A
	When a battery system has multiple battery packs or modules, the battery system shall remain in a safe condition at the time of installation, even if one of the battery packs or modules is connected with opposite polarity to the others.	Prevent a reverse connection	N/A
	A DUT has a feature that prevents a reverse connection, or when modules or battery packs are connected in the battery system with the BMS at the factory, test is not required.		N/A
	Test the battery system with one module reverse connected.		—
	Results: no rupture, no fire, no explosion..... :	See Table 7.7	P
7.8	Overdischarge control of voltage (battery system)		P
	The BMS shall control the cell voltage during discharging above the lower limit discharging voltage of the cells.		P
	Monitor the cells voltage while overdischarge the battery system or part of system.		—
	Results: BMS interrupt the overdischarging current by an automatic disconnect of the main contactors :	See Table 7.8	P
7.9	Drop test		P
7.9.1	General		P
	This test is performed to simulate a drop during installation and maintenance		P
7.9.2	Whole drop test (for DUT \leq 50kg)	2600kg	N/A
	The DUT is dropped one time from a height shown in Table 2 onto a flat concrete or metal floor.		N/A
	Results: no fire, no explosion..... :	See Table 7.9	N/A
7.9.3	Edge and corner drop test (for DUT > 50kg)	2600kg	P

IEC 63056			
Clause	Requirement + Test	Result - Remark	Verdict

	Test arrangements as shown in Figure 3, Figure 4 and Figure 5. The DUT is dropped two times from a height shown in Table 2 onto a flat concrete or metal floor, with reproducible impact points for the shortest edge drop impact and the corner impacted.		P
	Results: no fire, no explosion	See Table 7.9	P

8	INFORMATION FOR SAFETY		
	Information for safety in accordance with IEC 62619		P

9	MARKING AND DESIGNATION (REFER TO CLAUSE 5 OF IEC 62620)		
	The marking items shown in Table 1 in IEC 62620 indicated on the cell, battery system or instruction manual.		P
	Cell or battery system has clear and durable markings		P
	Cell designation		N/A
	Battery designation	See label	P
	Battery structure formulation	See label	P

ANNEX A	Wiring, connections and supply		P
A.1	Summarizes wiring, connections and supply, as addressed in IEC 60950-1:2005.		P
3.1.1	Current rating and overcurrent protection		P
3.1.2	Protection against mechanical damage		P
3.1.3	Securing of internal wiring		P
3.1.4	Insulation of conductors		P
3.1.5	Beads and ceramic insulators	No such part	N/A
3.1.6	Screws for electrical contact pressure		P
3.1.7	Insulating materials in electrical connections		P
3.1.8	Self-tapping and spaced thread screws		P
3.1.9	Termination of conductors		P
	10 N pull test		P
3.1.10	Sleeving on wiring		P
3.2.1.2	Connection to a d.c. mains supply		P
3.2.5.2	DC power supply cords	No such part	N/A
3.2.6	Cord anchorages and strain relief	No such part	N/A

IEC 63056			
Clause	Requirement + Test	Result - Remark	Verdict
	Mass of equipment (kg), pull (N)		—
	Longitudinal displacement (mm)		—
3.2.7	Protection against mechanical damage		P
3.2.8	Cord guards	No such part	N/A
	Diameter or minor dimension D (mm); test mass (g)		—
	Radius of curvature of cord (mm).....		—
A.2	Summarizes wiring, connections and supply, as addressed in IEC 62368-1.		P
5.4	Isolation materials and requirements (including clearances and creepage distances)		P
G.7	Mains supply cords	No such part	N/A
G.7.1	General requirements		N/A
	Type.....		—
G.7.2	Cross sectional area (mm ² or AWG)		N/A
G.7.3	Cord anchorages and strain relief for non-detachable power supply cords		N/A
G.7.3.2	Cord strain relief		N/A
G.7.3.2.1	Requirements		N/A
	Strain relief test force (N)		N/A
G.7.3.2.2	Strain relief mechanism failure		N/A
G.7.3.2.3	Cord sheath or jacket position, distance (mm)		N/A
G.7.3.2.4	Strain relief and cord anchorage material		N/A
G.7.4	Cord Entry		N/A
G.7.5	Non-detachable cord bend protection		N/A
G.7.5.1	Requirements		N/A
G.7.5.2	Test method and compliance		N/A
	Overall diameter or minor overall dimension, D (mm)		—
	Radius of curvature after test (mm).....		—
G.7.6	Supply wiring space		P
G.7.6.1	General requirements		P
G.7.6.2	Stranded wire		P
G.7.6.2.1	Requirements		P
G.7.6.2.2	Test with 8 mm strand		P

IEC 63056			
Clause	Requirement + Test	Result - Remark	Verdict

7.2	TABLE: Resistance to abnormal heat (ball pressure test)		N/A
	Upper limit ambient temperature T _{max} of the battery system specified by the battery system manufacturer		—
	Maximum temperature rise ΔT of thermoplastic parts during the most adverse operation at 25 °C ± 5 °C specified by the battery system manufacturer		—
	Allowed impression diameter (mm)	≤ 2 mm	—
Part		Test temperature (°C)	Impression diameter (mm)
Supplementary information:			

7.3	TABLE: Casing material of a battery system that can be transported for installation or maintenance					N/A
Part	Manufacturer of material	Type of material	Thickness (mm)	Flammability class	Evidence	
Supplementary information:						

7.4	TABLE: Electric insulation check during transport and installation				P
Part	Test voltage (V)	Insulation resistance (Ω)	Limit (Ω)		
Battery+ to PE	500Vd.c.	>500M	19.8G		
Battery- to PE	500Vd.c.	>500M	19.5G		
Battery+ to Communication circuit	500Vd.c.	>500M	18.7G		
Battery- to Communication circuit	500Vd.c.	>500M	16.0G		
Supplementary information:					

7.6	TABLE: Protection against short circuit during transport and installation						P
DUT	Ambient (25°C ± 5°C)	OCV at start of test (V dc)	Max discharge current(A)	Maximum Case Temperature Rise ΔT (°C)	Test termination	Results	

IEC 63056			
Clause	Requirement + Test	Result - Remark	Verdict

EcoPower-Cube-L215A	25.5	803.0	15282.37	-	A	C, F

Supplementary information:

Test termination:

A - The test was completed after 6 h;

B - The test was completed after the cell casing cooled to 20% of the maximum temperature rise

Results:

C - No fire or Explosion;

D - Fire;

E - Explosion;

F - Other (Please explain): Protected by the overcurrent device.

7.7	TABLE: Protection for reverse connection				N/A
Battery system	Ambient (25°C ± 5°C)	SOC for installation or maintenance	Reverse connection of a module		Results
			Charge the battery system	Discharge the battery system	
-	-	-	-	-	-
-	-	-	-	-	-

Supplementary information:

Charge / Discharge the battery system:

A - Fully charged or discharged.

B - Charging or discharging is stopped by a safety protection.

Results:

C - No fire or Explosion;

D - Fire;

E - Explosion;

F - Other (Please explain): ____

7.8	TABLE: Overdischarge control of voltage (battery system)				P	
DUT	Ambient (25°C ± 5°C)	OCV at start of test (V dc)	Discharge current		Measured minimum cell voltage (V)	Results
			0.2 It (A)	Maximum discharge current (A)		
Battery system1	25.5	160.4	56.0	170.0	2.591	A

IEC 63056			
Clause	Requirement + Test	Result - Remark	Verdict

Supplementary information:

See page 6 "Test item particulars" for the lower limit discharging voltage of the cell

DUT:

Battery system using one pack of CSE-1P48S-L280-A00.

Results:

A - The BMS interrupt the over discharging current by an automatic disconnect of the main contactors before the cell voltage dropped below lower limit discharging voltage of the cell.

B - Measured minimum cell voltage less than lower limit discharging voltage of the cell.

7.9	TABLE: Drop test			P
DUT	Mass of the test unit (kg)	Height of drop (m)	OCV at start of test (V dc)	Results
Cell	-	-	-	-
Module	-	-	-	A
Battery system	EcoPower-Cube-L215A	0.025	788.5	-

Supplementary information:

DUT:

Module

Results:

A - No fire or Explosion;

B - Fire;

C - Explosion;

D - Other (Please explain):

- End of test report -